



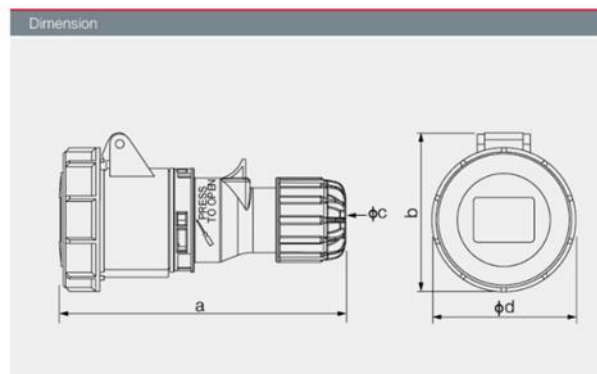
Product Code

VP32031



16A 3P+N+E Coupler IP67

★ Rated current:16A
★ Rated voltage: 220-380V/240-415V
★ No. of poles:3P+N+E
★ Protection degree: IP67
★ Housing material: Flame Retardant PA6 RoHS Reach Contact: nickel-plated brass RoHS Reach
★ Standards: IEC60309-1, IEC60309-2
★ Certificates: S,CB,CE,TUV,ISO9001:2008,RoHS,REACH



Current	16A			32A		
	Pole 3	Pole 4	Pole 5	Pole 3	Pole 4	Pole 5
a	134	138	146	166	166	171
b	78.5	85	93	98	98	104
c	15	15	17	22	22	22
d	71	79	86.5	93.5	93.5	99.5
Cable size(mm ²)	1-2.5			2.5-6		

